

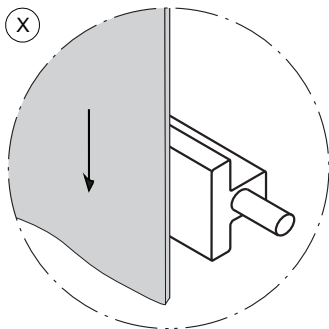
meTRON 05 profiLine

METAL DETECTION

ELECTRONIC METAL SIGNAL BAR FOR THE INSPECTION OF WEBS.

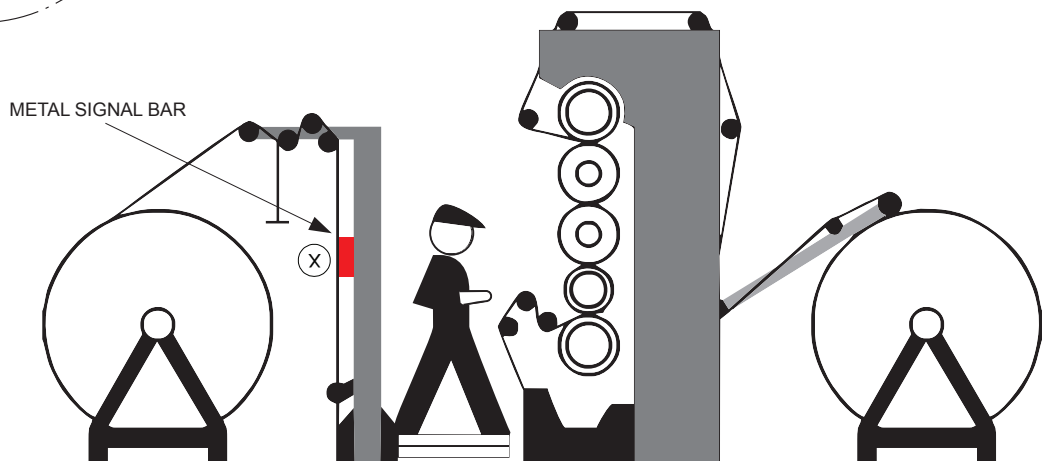
Reliable *in Process and Detection*
Durable *in Technology and Performance*
Easy *in Installation and Handling*

- Minimal 'metal free zone' required for installation
- Special coil configurations make the system impervious to vibrations or external effects.
- Anti-static sensor surface
- Easy to operate
- Self-monitoring electronics
- Excellent sensitivity to ferrous, non-ferrous and stainless steel
- Designed for industrial use



Applications

Machinery protection:
Calenders, Fabric shredding / Fabric cleaning machines, Form presses



METAL DETECTOR METRON 04 ProfiLine IN USE.