

Metron 07 flatLine

METAL DETECTION

SLIM METAL DETECTOR FOR MOUNTING BETWEEN MULTIHEAD WEIGHERS AND VERTICAL BAG FILLERS.

Reliable *in Process and Detection*
Durable *in Technology and Performance*
Easy *in Installation and Handling*

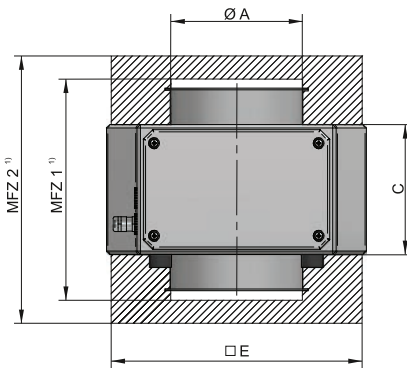


Digital signal processing for best detection
 Strong shielding against external noise
 Process and condition monitoring
 Exchangeable hoppers for various applications
 Failsafe storage of all system parameters
 Sensor head fully sealed
 Network connectivity and data management
 Password protected user management
 Hygienic Design without dead spots
 Highest standard of detection accuracy with ultimate operational safety.
 Compliant with quality surveillance rules according to HACCP, IFS, BRC, SQF.

Applications

Quality inspection
 (to meet the requirement of ISO 9000, HACCP, IFS, BRC, SQF)
 Machinery protection

Metal Free Zone (MTZ)



Calculating the 'metal free zone' DN 100 - DN 200

For Non-moving Metals
 $MFZ1 = C + 100\text{mm}$

For Moving Metals
 $MFZ2 = 3 \times A$

Calculating the 'metal free zone' DN 250

For Non-moving Metals

For Moving Metals

$MFZ1 = C + 170\text{mm}$

$MFZ2 = 3 \times A$

Position the detector in the middle of the 'metal free zone'
 For the other dimensions: position the detector symmetrical in relation to the aperture