

meTRON 04 profiLine

METAL DETECTION

**MULTISEGMENTED METAL DETECTOR FOR THE INSPECTION OF WEBS
(WOVEN AND NON-WOVENS)**

Reliable *in Process and Detection*
Durable *in Technology and Performance*
Easy *in Installation and Handling*

Minimal 'metal free zone' required for installation

Special coil configurations make the system impervious to vibrations or external effects.

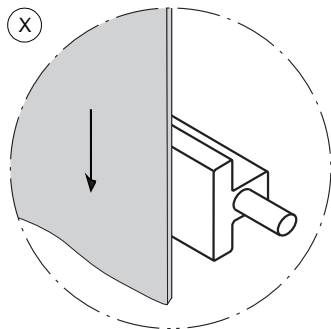
Anti-static sensor surface

Easy to operate

Self-monitoring electronics

Excellent sensitivity to ferrous, non-ferrous and stainless steel

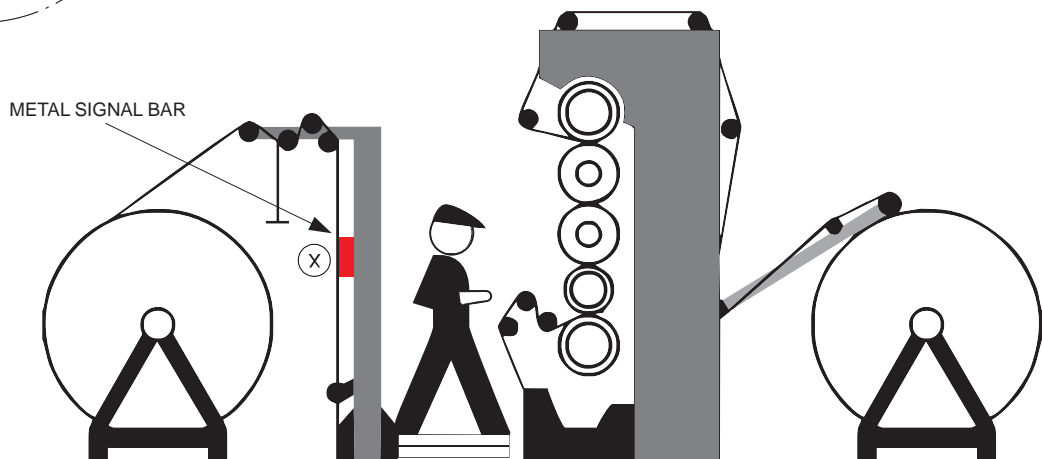
Designed for industrial use



Applications

Machinery protection:

Calenders, Fabric shredding / Fabric cleaning machines, Form presses



METAL DETECTOR METRON 04 ProfiLine IN USE.